

H201-OLYMPUS-IX-SUSP

Screws onto Olympus rectangular stages with circular opening - comes with Sliding Lid

- IX-SUSP, GX-SVR, GX-SFR, BX3-SSU, IX2-SFR, IX2-SVL-2

Magnetic inserts allow to use:

- 35/60 mm Petri
- 1x3 in. / 1x2 in. chambered slides

Features:

- Sliding lid for easy pipetting
- Optional lids available for Kohler Illumination, Laser Safety, Injection during imaging
- Flexible chamber height thanks to the removable chamber riser and the optional Koheler Lid
- Magnets allow easy interchange of chamber inserts
- Magnetic locks hold Petri and Slides in correct position inside the chamber
- Perfusion holes: 8 channels for 2.5mm O.D. tubings are available in chamber riser



AVAILABLE INSERTS

1x35-M-single	#1 35mm Petri-dish
1xGS-M-single	#1 1x3in. chamberslide
1xLABTEK-M-single	#1 Lab-Tek 1x2 in. chambered cover glass
1xLABTEK-II-M-single	#1 Lab-Tek II 1x2 in. chambered cover glass
1x60-M-single	#1 60mm Petri-dish

AVAILABLE LIDS

H201-KOEHLER-LID-2	Glass lid that reduces the height of the chamber to 22 mm. It allows to work under Koehler illumination
H201-INJECTION-LID-2	Glass lid with two small openings (sealed with flexible plastic) to allow injection or permanent access to the specimen Note: compatible only with specimen holder 1x35
H201-LASER-INTERLOCK-LID-2	Glass lid with a safety switch that connects to the laser box. The switch turns off the laser, when the lid is lifted Note: compatible only with specimen holder 1x35



Ordering Info
H201-OLYMPUS-IX-SUSP
1x35-M single

H201-OLYMPUS-IX-SUSP with Sliding Lid



Ordering Info
H201-OLYMPUS-IX-SUSP
H201-KOEHLER-LID-2
1x35-M single

H201-OLYMPUS-IX-SUSP with Koehler Lid



H201-KOEHLER LID-2



H201-LASER INTERLOCK-LID-2

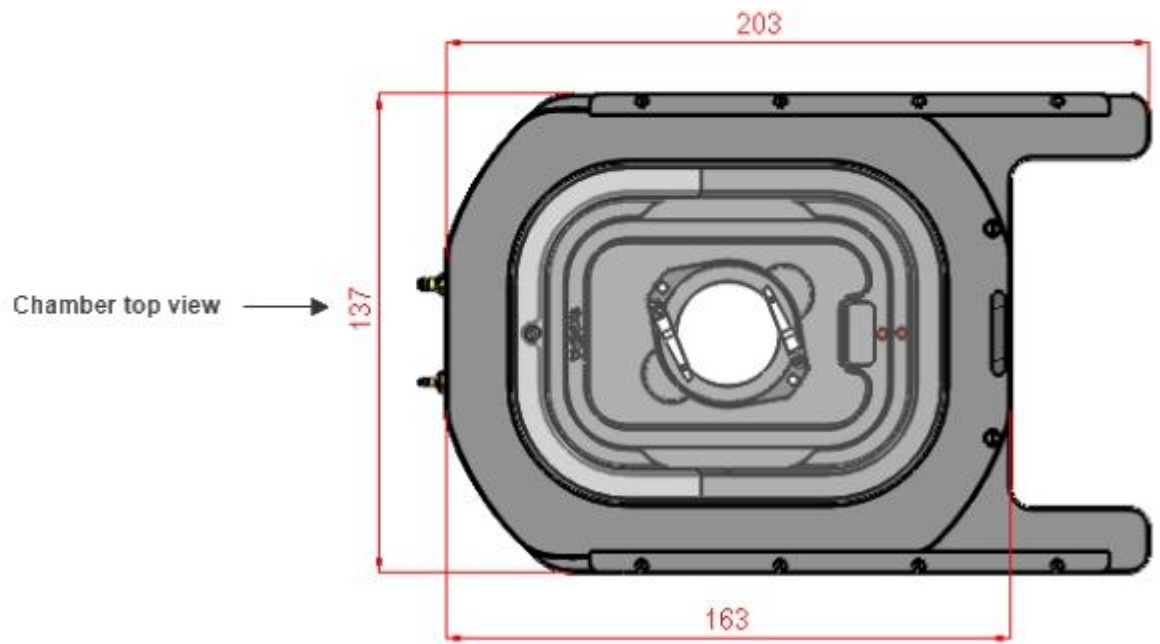


SLIDING LID
Included as standard

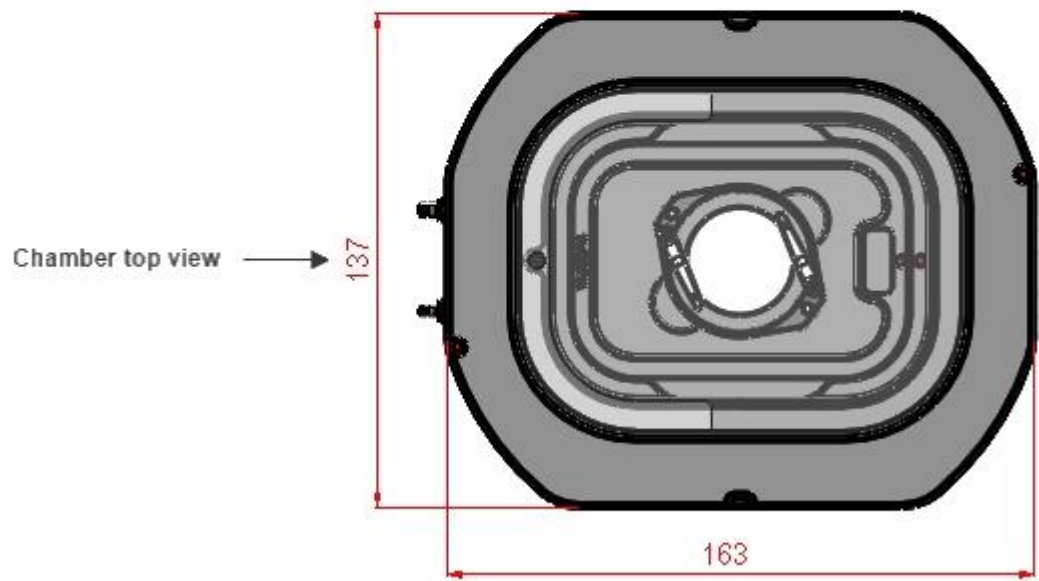
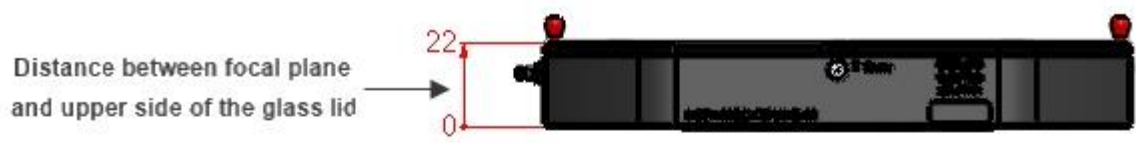


H201-INJECTION-LID-2

H201-OLYMPUS-IX-SUSP - Available Lids



H201-OLYMPUS-IX-SUSP with Sliding Lid - Dimensions



H201-OLYMPUS-IX-SUSP with Koehler Lid - Dimensions



1x35-M single
For #1 35mm petri-dish



1x60-M single
For #1 60mm petri-dish



1xLABTEK-II-M single
For #1 Lab-Tek II 1"x2" chambered cover glass



1xGS-M single
For #1 1"x3" chamber slide



1xLABTEK-M single
#1 Lab-Tek 1"x2" chambered cover glass

H201-OLYMPUS-IX-SUSP - Magnetic Inserts